

PT650F-Ex

Special features 特點:

- Clear and stable fluorescent tube
 - Full digital calibration setting method
 - Conversion rate up to 100 times/sec
 - Display update rate is selectable of 1, 4, 8, 16 or 20 times/sec
 - Zero offset and span calibration can be carried out individually
 - Drives up to 8 x 350Ω load cells
 - Standard data output for remote display
 - Standard RS232 serial input and output port
 - Standard Hi/Lo comparator output
- 選用清晰高亮的 6位熒光管顯示
 - 採樣速率及模數轉換速率為每秒 100 次
 - 顯示更新速率可選擇1； 4； 8； 16 或 20次/秒
 - 可以獨立執行調零位和滿量程調校
 - 可驅動 8 個 350 歐姆的傳感器
 - 標準遠距離大顯示輸出口
 - 標準高/低限位比較輸出口
 - 標準 RS232 輸入輸出口

Application 應用：

PT650F-Ex is suitable for all kinds of applications such as weighbridge, hopper and weigh platform which be used in intrinsically safe circuits of class Exd IIBT4, and employs the latest SMT technology for the most reliable performance and quality assurance. The cost effective design which includes many functions as standard such as RS232 input/output, remote display and Hi/Lo comparator.

Ex marking: ExdIIBT4

Cert. No.:GYB00231

適用於爆炸性氣體環境為II類危險場所的臺秤，料鬥秤，計量秤，地秤，汽車衡及吊秤。

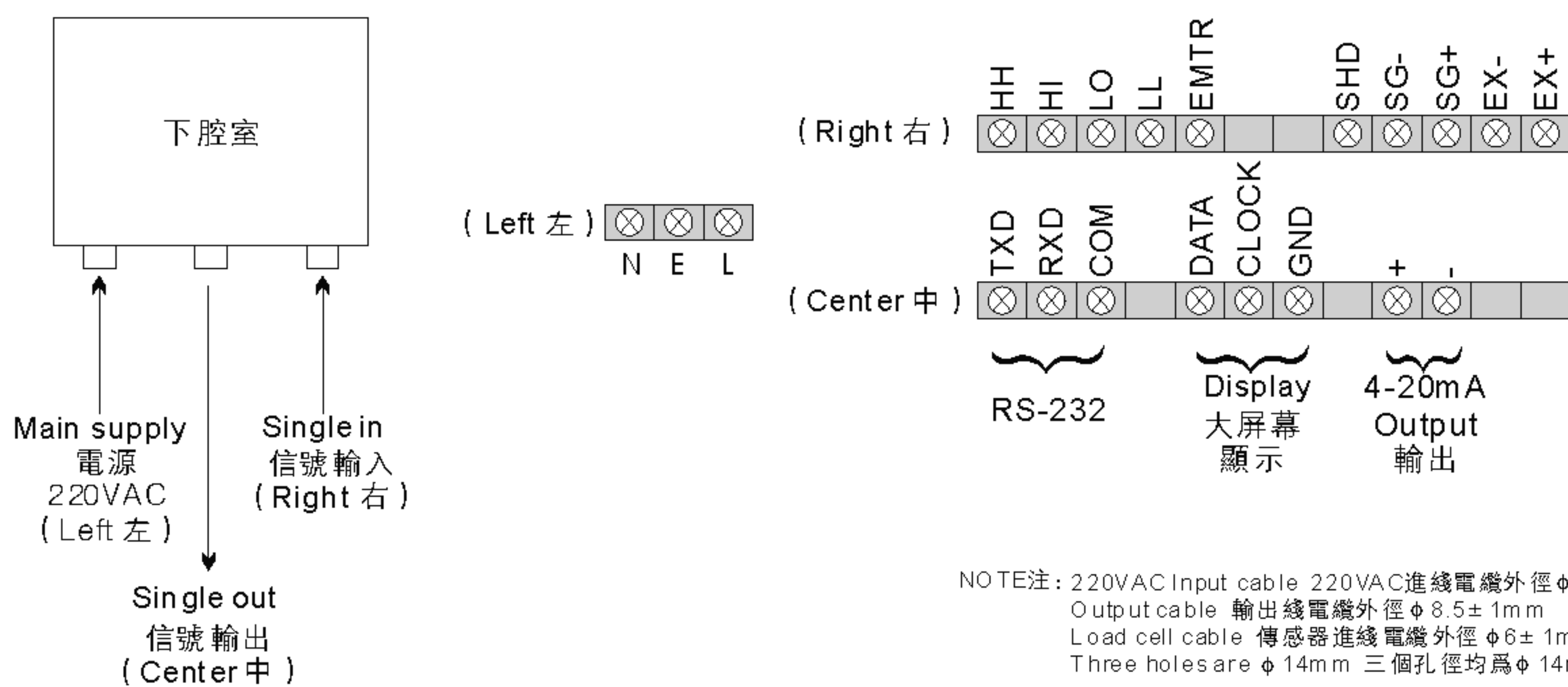
防爆標志為：ExdIIBT4

產品符合：GB3836.1-1983

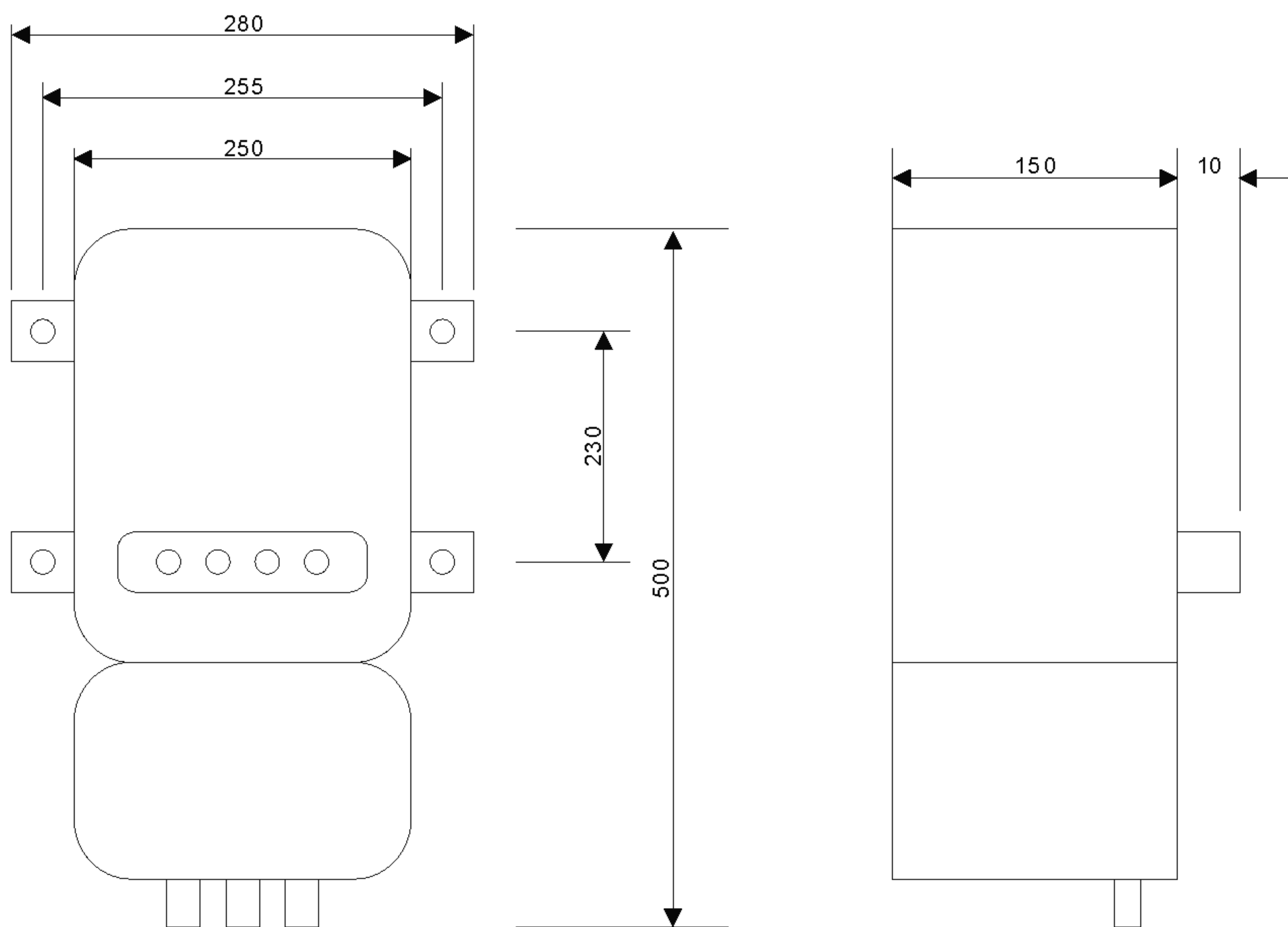
GB3836.2-1983

防爆合格證號：GYB00231

Connecting diagram 接綫圖



Outline 外形尺寸(in mm 毫米)



Technical Data 技術參數

Type 型號	PT650F-Ex
Mains supply 電源 Power consumption 消耗功率 Line filter 電源濾波器	110V/220V AC $\pm 10\%$, 50/60 Hz 18VA Built-in 內置
Operating temperature 工作溫度 Relative humidity 相對濕度 Load cell type 傳感器類型	$-5^{\circ}\text{C} \dots 50^{\circ}\text{C}$ ($23^{\circ}\text{F} \dots 122^{\circ}\text{F}$) 90%, non-condensing 90% (無凝結水) All strain gauge type 所有應變片式
Load cell supply 傳感器電源 Input sensitivity 輸入靈敏度 Zero point adjustment 零點調校範圍 Temperature coefficient 溫度系數 Non-linearity 非線性度	10V DC, 280mA (8 \times 350 Ω load cell) 直流10V, 280mA可驅動8個350歐姆傳感器 0.5 $\mu\text{V/D}$ to 200 $\mu\text{V/D}$ 0.5 $\mu\text{V/格}$ 至 200 $\mu\text{V/格}$ 0.05mV...15mV 8 ppm/ $^{\circ}\text{C}$ of Cn 滿量程的8 ppm/ $^{\circ}\text{C}$ 0.005 % of Cn 滿量程的0.005 %
Conversion rate 轉換速率 Internal resolution(Max.) 內部分辨率 (最大) Scale range 顯示範圍 Division 分度值 Display resolution(max.) 最大顯示分辨率	100 times/second (max) 100次/秒(最大) 200,000 500...100,000 1; 2; 5; 10; 20; 50 10,000 divisions 10,000格
Display 顯示 Display up-date rate 顯示速率 BCD output rate BCD輸出速率 Standard RS232 port 標準RS232口 Standard large display output 標準大顯示輸出	13mm Fluorescent tube (6 digits, green) 6位13 mm 熒光管 (綠色) 1; 4; 8; 16 or 20 selectable 1; 4; 8; 16或20 (可選) 4; 8; 16 or 20 selectable 4; 8; 16或20 (可選) bi-directional 2400; 4800; 9600 or 19200 baud selectable, 7 data bit, even parity, 1 stop bit 2400; 4800; 9600或19200波特率可調校 7位資料, 偶檢查位, 1位停止位 Serial BCD data output 串行BCD輸出
Hi/Lo or control output 標準比較器輸出	Photo-coupler 80V DC max. 0.3A 光電耦合器, 直流80V, 最大電流0.3A
Unit 單位 Supplied accessories 附件 Dimensions 尺寸 Weight (G), approx. 毛重	kg/t Instruction manual, Load cell connector, Power cable, Fuse 使用手冊, 傳感器連接器, 電源綫, 保險絲 280mm(W) \times 160mm(H) \times 500mm(L) 280 mm (寬) \times 160 mm (高) \times 500 mm (長) 17.5kg